

# Large Accessory Module Installation Guide

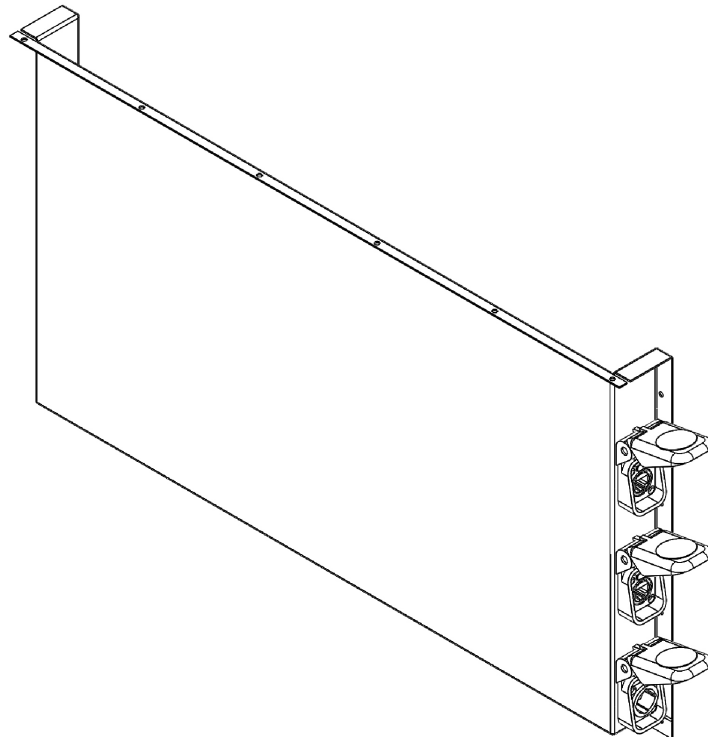
---

## Included in the Box:

- 1x Large Accessory Module - Black or White
- 1x Neutrik SCDR Connector
- 1x Neutrik Power Connector
- 18x M3x10 Screws and Washers
- 2x VELCRO Roll

## Installing your Large Accessory Module:

1. Using the velcro provided, stick the necessary baluns/media boxes etc to the inside of the Accessory Module and then connect these to the 3 sockets on the side.
2. Once these are fully secured, connect any necessary wires to the 5 central neutrik connectors on the back of the Horizon television
3. Attach your Accessory Module to the back of your Horizon television using the 18x M3x10 screws and washers provided. Make sure the foam tape around the edges are pressed down firmly to ensure a waterproof seal.



**NOTE - Failure to install this product following the instructions above will mean that the inside of your Accessory Module is not waterproof. Any damage due to this will not be covered under your warranty.**

