

## Installing your Aquavision LCD

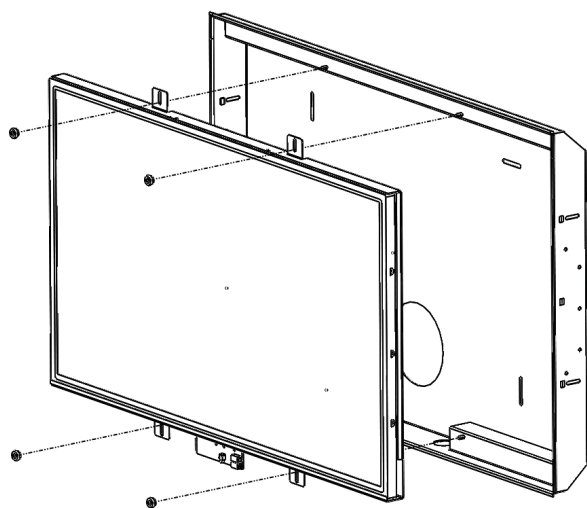
Once you have installed and firmly secured your Aquavision metalwork into the wall, the next step is to add the LCD.

1. Firstly, remove the clear protective film from the front of the screen and if necessary clean the screen.

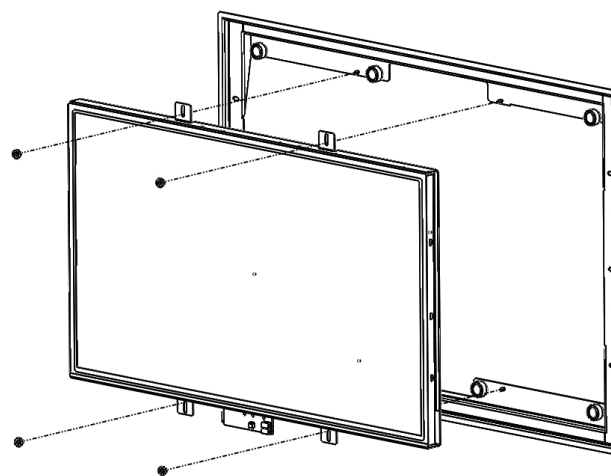
**NOTE - When doing this you should never use an abrasive cleaner. The front of the screen should be cleaned with a soft, damp cloth and a mild, non-abrasive cleaning agent.**

2. Once you are satisfied that the screen is clean, remove the plastic thumbnuts from the support brackets on the mounting metalwork.
3. Connect all relevant cables [including the speaker wires if using] to the back of the LCD screen making sure they are all pushed in properly.
4. Place the LCD Screen onto the support brackets making sure that the IR Board is at the bottom.
5. Replace the plastic thumbnuts.
6. Power the television up and make sure that everything is connected fully before attaching the glass. Instructions on fitting the glass will be supplied with the glass piece.

Frameless LCD Installation:



Classic LCD Installation:



Images are for illustration purposes only



HEAD OFFICE AND FACTORY  
Aquavision  
Grosvenor Business Park, Horsfield Way,  
Stockport, Cheshire, SK6 2SU  
United Kingdom

 [www.aquavision.tv](http://www.aquavision.tv)  
 [sales@aquavision.tv](mailto:sales@aquavision.tv)  
 +44 [0]161 711 1900

