

Kitchen Range Specifications

Aquavision's specialist range of Kitchen Door replacement units allow your Aquavision television to be discretely installed into any Kitchen space. Perfect for where wall space is tight, these televisions are compatible with a selection of BLUM Electric/Manual Hinges meaning that you don't need to sacrifice much-needed cupboard space. All models are available in either Black or White and are specifically designed to work with standard Aquavision televisions listed below.

Cupboard Size	Compatible Television Models		Hinge Options	
1000mm x 600mm	32" 4K Pinnacle		BLUM Aventos HS	Aquavision KDMK
800mm x 450mm	28" 4K Pinnacle		BLUM Aventos HS	Aquavision KDMK
600mm x 450mm	22" Genesis	22" Nexus	BLUM Aventos HL	Aquavision KDMK
600mm x 355mm	22" Genesis	22" Nexus	BLUM Aventos HL	Aquavision KDMK

Aventos HS


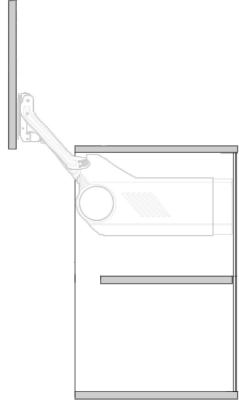



Your television swings up and over the cabinet, giving you easy access to the cupboard interior.

Movement: Lift & Tilt

Cupboard Accessible: Yes

Aventos HL

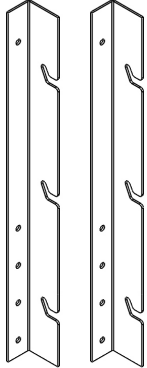



Your television lifts up parallel to the cabinet, making the ideal solution for units with cabinets above them.

Movement: Lift Up

Cupboard Accessible: Yes

Aquavision KDMK (Pair)



Your television is fixed in place using 2x metal brackets that attach the television unit to the interior of the cabinet.

Movement: Fixed

Cupboard Accessible: No



HEAD OFFICE AND FACTORY
 Aquavision
 Grosvenor Business Park
 Horsfield Way, Stockport
 Cheshire, SK6 2SU
 United Kingdom
 +44 [0]161 711 900



sales@aquavision.tv

www.aquavision.tv