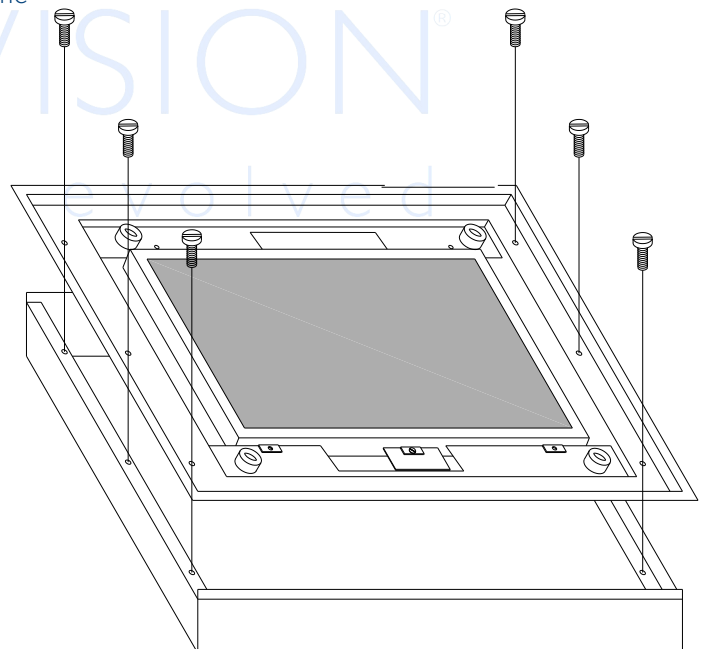


# Classic Back Box Installation Guide

1. This product should be installed as part of the Classic Bezel installation as extra protection against extreme dust, dirt and condensation from the rear for your Aquavision®.
2. Fit the box so that the top and bottom edges are either flush with, or recessed from, the finished line of tiles, etc. The box should not protrude forward from the finished surface of the wall.
3. Ensure that you mount the box with the cable entry holes at the bottom.
4. Using the mounting points in the sides of the box, screw the unit to the wall so that it will be able to withstand a pull force in excess of 60Kg.
5. Make sure that the box is installed square and true in all aspects. Failure to do this could result in the glass not fitting properly, causing the unit not to be waterproof.
6. Remove the installation brackets from the main AQUAVISION® bezel, but retain the 6 fixing screws.
7. Make sure the bezel fits correctly by placing it on top of the metal back box.
8. Place a bead of silicone along the inside back edges of the bezel to ensure that there is a watertight seal between the bezel and the wall / tiles, etc. Pay particular attention to any grout lines.
9. Using the original mounting screws, fix the bezel to the metal back box, making sure not to over tighten.
10. Continue with the product installation instructions for the remainder of the installation procedure.



**HEAD OFFICE AND FACTORY**  
Aquavision  
Unit 2 Grosvenor Business Park  
Horsfield Way, Stockport  
Cheshire, SK6 2SU  
United Kingdom  
+44 [0]161 711 1900

**AMERICAN OFFICE**  
Aquavision, Inc.  
#197  
5 Southside Drive, Suite 11  
Clifton Park, NY 12065  
America  
+1 800 524 1804



[sales@aquavision.tv](mailto:sales@aquavision.tv)  
[sales@aquavision.us](mailto:sales@aquavision.us)

[www.aquavision.tv](http://www.aquavision.tv)  
[www.aquavision.us](http://www.aquavision.us)