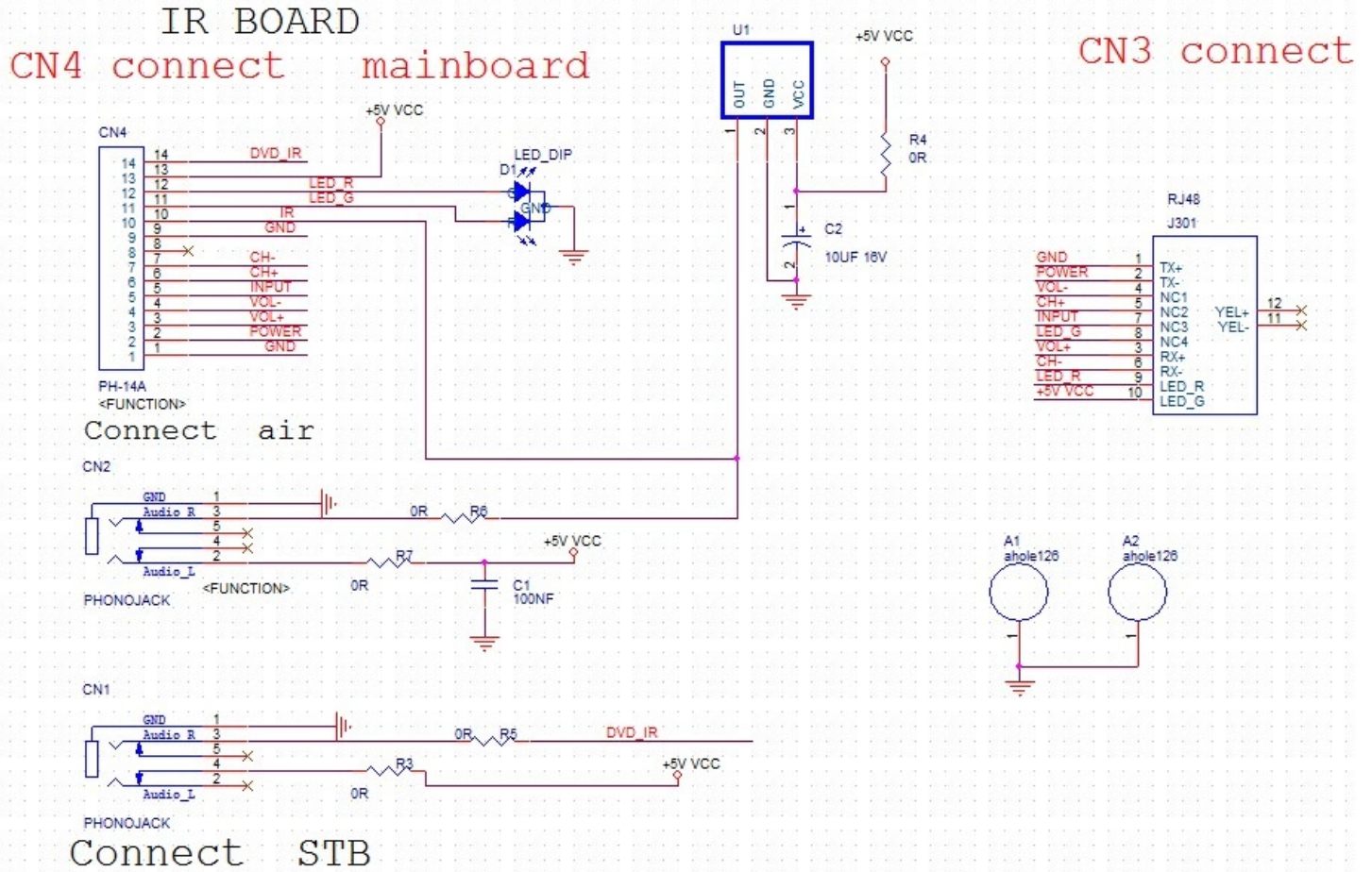


Aquavision IR Board Connection Details



IR connection details as on the IR receiver board on the LCD TV

Connector Details	Tip	Ring	Sleeve
IR Input	IR V out (3.7V 8.1KOhm)	VCC (5V 100Ohm)	Ground
IR Output	IR V out (3.7V 8.1KOhm)	VCC (5V 100Ohm)	Ground



HEAD OFFICE AND FACTORY
Aquavision
Unit 7 Riverpark, Billet Lane
Berkhamsted, Hertfordshire
HP4 1HL
United Kingdom
+44 [0]1442 872665

AMERICAN OFFICE
Aquavision, Inc.
#197
5 Southside Drive, Suite 11
Clifton Park, NY 12065
America
+1 800 524 1804



sales@aquavision.tv
sales@aquavision.us

www.aquavision.tv
www.aquavision.us