

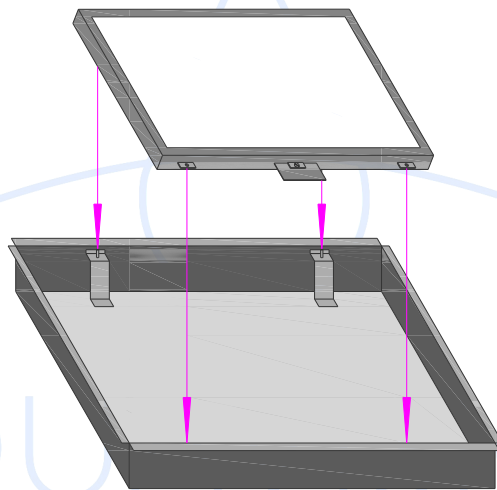
Frameless LCD TV Installation Guide

Once the fixing kit of your AQUAVISION has been installed, the LCD TV needs to be fitted. The first and most important job is to remove the clear protective film from the front of the screen.

If necessary, clean the front of the screen thoroughly. When cleaning the AQUAVISION LCD, never use an abrasive cleaner. The front of the screen has a soft plastic finish and therefore should be cleaned with a soft, damp cloth and a mild, non-abrasive glass cleaning agent.

Once you are satisfied that the screen is clean, remove the plastic nuts from the support brackets.

Connect all relevant cables into the back of the LCD screen, making sure they are pushed fully home. Don't forget the speaker wires.



Place the LCD screen onto the support brackets as shown and replace the plastic mounting nuts.

You are now ready to install the glass cover. Please refer to the instructions supplied with the glass showing how this should be carried out.

It is the installer's responsibility to ensure that the AQUAVISION unit is installed and sealed correctly as stated in these instructions. Your guarantee will be void if any problems are caused through installation faults or poor sealing. After any maintenance, you will need to completely clean the old silicone off and reseal as stated in the glass fitting instructions.



HEAD OFFICE AND FACTORY
Aquavision
Unit 2 Grosvenor Business Park
Horsfield Way, Stockport
Cheshire, SK6 2SU
United Kingdom
+44 [0]161 711 1900

AMERICAN OFFICE
Aquavision, Inc.
#197
5 Southside Drive, Suite 11
Clifton Park, NY 12065
America
+1 800 524 1804



sales@aquavision.tv
sales@aquavision.us

www.aquavision.tv
www.aquavision.us