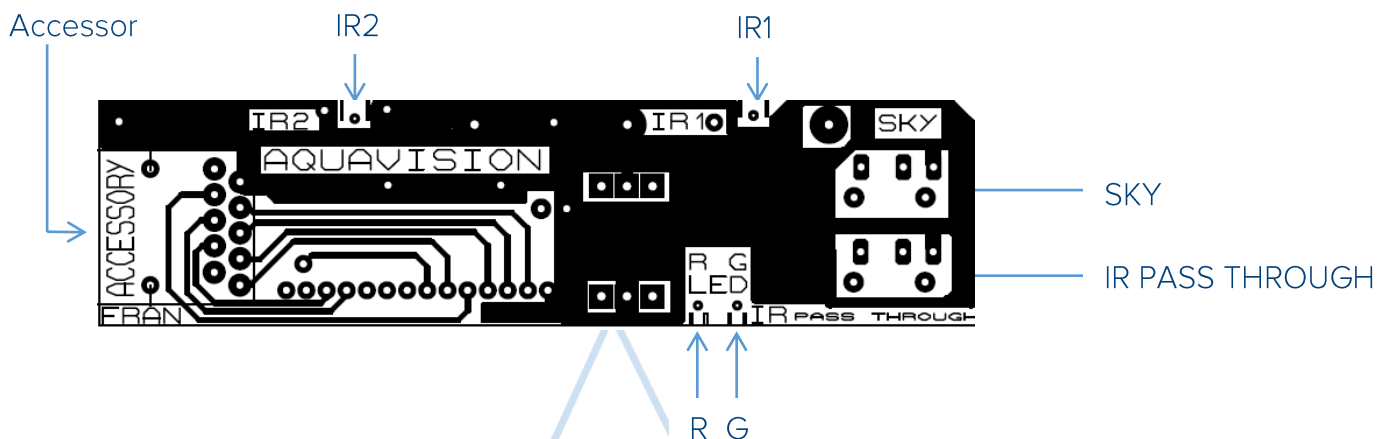


Aquavision IR Board Connection Details

On the new IR boards there are 2 x 3.5mm sockets, one marked as SKY, and the other as IR PASS THROUGH, an RJ48 (10 way) plug, and there are also 4 "SNAP'S" labelled as IR1, IR2, R, & G



The Jack plugs are wired as follows

Connector Details	Tip	Ring	Sleeve
SKY	IR Signal (3.7V 8.1KOhm)	VCC (5V 100Ohm)	Ground
IR Pass Through	VCC (5V 100Ohm)	IR Signal (3.7V 8.1KOhm)	Ground

This is an unmodulated signal

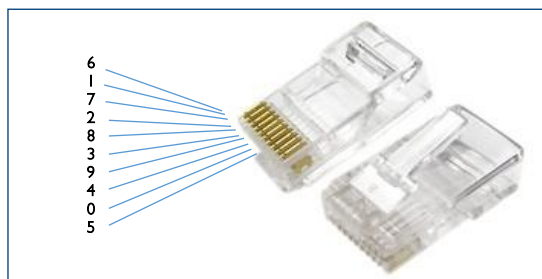
There are also 4 "SNAP'S"

These simply "snap off" should you want the following features

- IR1 – Snapping this off stops the IR signal going to the Aquavision but keeps it present on both IR sockets
- IR2 – this removes the 5V from both sockets
- "R" – this turns off the Red power LED
- "G" – this turns off the Green power LED

The accessory socket is for use with our AVF-RSP5, wall mount switch panel and is cabled as follows

RJ48 Pin layout



RJ48 pin number	Function	RSP 5 Switch Position
PIN 1	GND/0V	
PIN 2	ON/OFF	Top centre
PIN 3	VOL+	Top right
PIN 4	VOL-	Bottom right
PIN 5	PG+	Top left
PIN 6	PG-	Bottom left
PIN 7	TV/AV	Bottom centre
PIN 8	LED G	centre
PIN 9	LED R	centre
PIN 10	5V/VCC	

Should you need IR transmitters and Receivers please refer to the IR Accessories sheet



HEAD OFFICE AND FACTORY
 Aquavision
 Unit 2 Grosvenor Business Park,
 Horsfield Way, Stockport,
 Cheshire, SK6 2SU,
 United Kingdom
 +44 [0]161 711 1900

AMERICAN OFFICE
 Aquavision, Inc.
 #197
 5 Southside Drive, Suite 11
 Clifton Park, NY 12065
 America
 +1 800 524 1804



sales@aquavision.tv
 sales@aquavision.us

www.aquavision.tv
 www.aquavision.us