

## Installing your Aquavision Chassis Mount Kit

Chassis Mount Kits are normally used in conjunction with Bespoke Glass and Custom Projects. Aquavision recommends that all installations are to be carried out by a qualified installer. Please ensure that the latest wiring and safety regulations are adhered to.

1. Firstly, use the table below to determine the cutout size depending on the size of your Aquavision Television\*:

	16"	22"	27"/28"	32"	43"	55"	65"	85"	100"
Cut Out Size (mm)	388 x 318	544 x 361	692 x 462	765 x 537	999 x 649	1279 x 808	1485 x 960	1980 x 1205	-
Cut Out Depth (mm)	50	50	50	60	100	100	100	100	-

\*All dimensions have a tolerance of ±1-2mm

2. To install your Chassis Mount Kit you will need to either cut a hole to the correct size stated above or place 2x strong wooden uprights on either side. You can fix this straight into masonry however wood is the preferred option for ease of fixing.
3. Based on your individual technical drawing, insert the correct number of fixings into the wall/uprights leaving approximately 10mm of screw protruding out.
4. Remove the plastic thumbnuts from your Chassis Mount Kit and attach your LCD to this using the brackets on the back of the screen. Replace the thumbnuts.

**NOTE - For detailed instructions on how to install your LCD please refer to the Installation Guide that came with it.**

5. Offer the Chassis Mount Kit (with screen attached) to the wall and it will locate onto the screws, dropping around 5mm to its resting place.
6. If your Chassis Mount Kit is attached to a Bespoke piece of glass, you must make sure all corresponding brackets and magnets (if used) are installed according to your technical drawing.

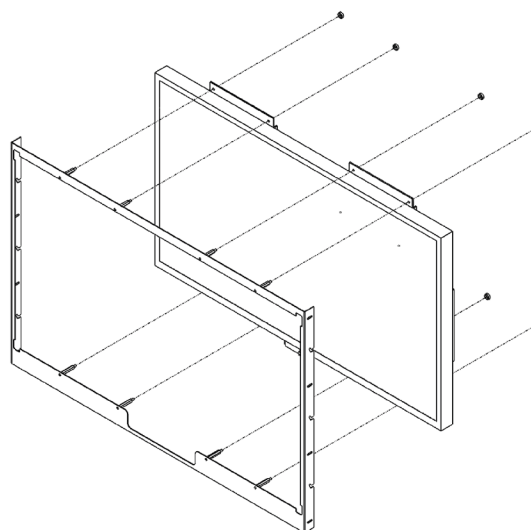
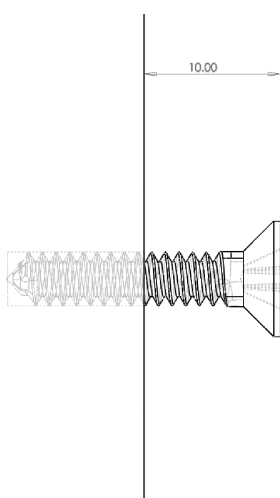


Image is for illustration purposes only

