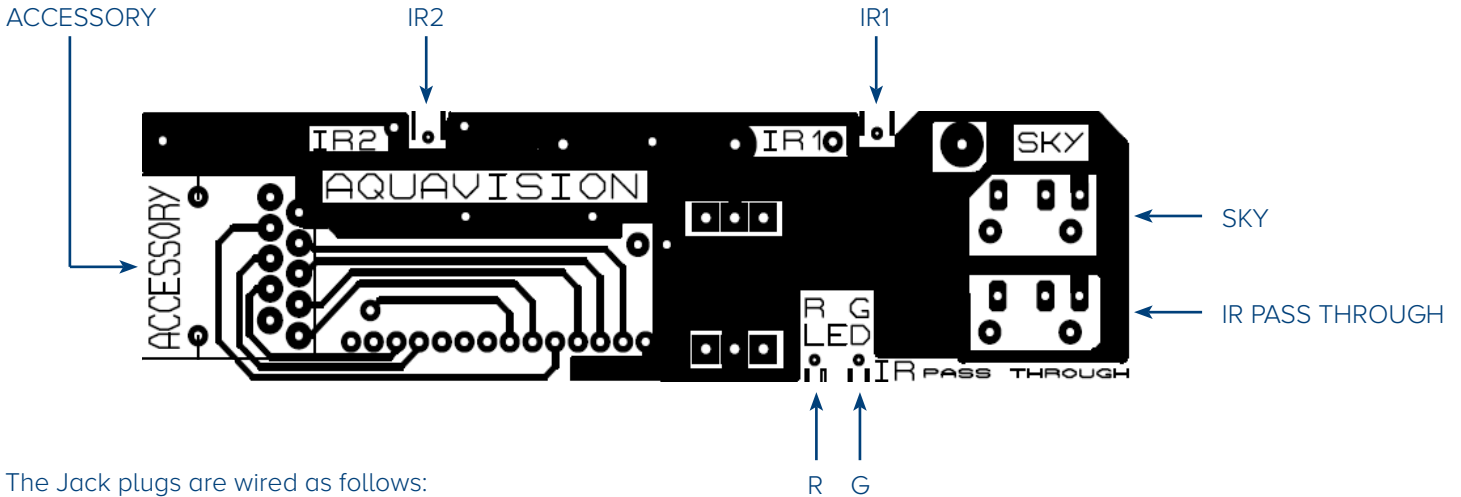


IR Board Connection Details

On the IR boards there are 2 x 3.5mm sockets, one marked as SKY, and the other as IR PASS THROUGH, an RJ48 (10 way) plug, and there are also 4 “SNAP’S” labelled as IR1, IR2, R, & G



The Jack plugs are wired as follows:

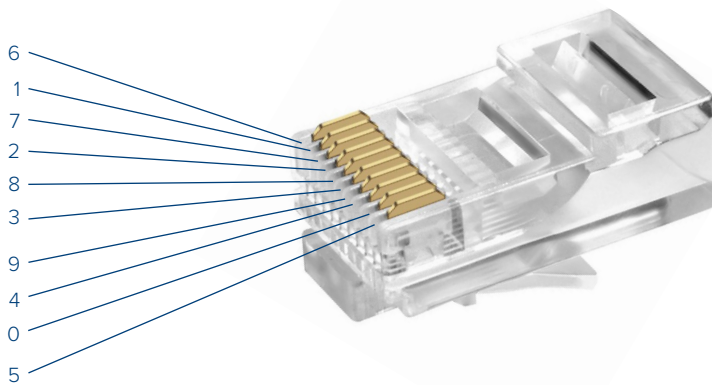
Connector Details	Tip	Ring	Sleeve
SKY	IR Signal (3.7V 8.1KOhm)	VCC (5V 100Ohm)	Ground
IR PASS THROUGH	VCC (5V 100Ohm)	IR Signal (3.7V 8.1KOhm)	Ground

This is an unmodulated signal

There are also 4 “SNAP’S”. These simply “snap off” should you want the following features:

- IR1 – Snapping this off stops the IR signal going to the Aquavision but keeps it present on both IR sockets
- IR2 – this removes the 5V from both sockets
- R – this turns off the Red power LED
- G – this turns off the Green power LED

The accessory socket is for use with our AVR-RSP5 wall mount switch panel and is cabled as follows:



RJ48 Pin Number	Function	RSP5 Switch Position
Pin 1	GND/OV	
Pin 2	ON/OFF	Top Centre
Pin 3	VOL +	Top Right
Pin 4	VOL -	Bottom Right
Pin 5	PG +	Top Left
Pin 6	PG -	Bottom Left
Pin 7	TV/AV	Bottom Centre
Pin 8	LED G	Centre
Pin 9	LED R	Centre
Pin 10	5V/VCC	

